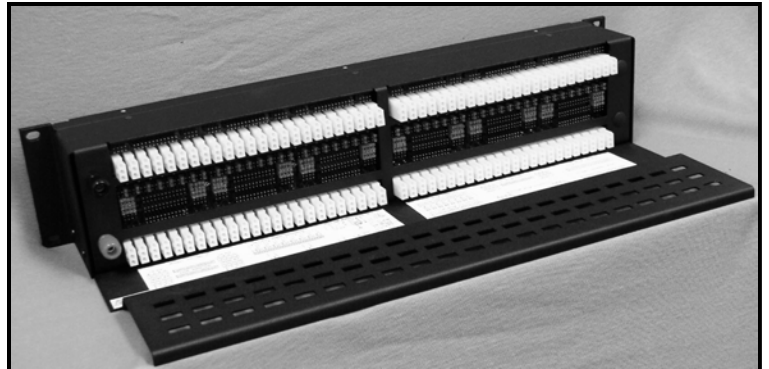
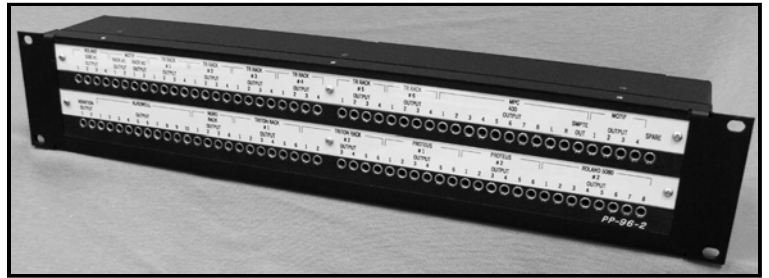


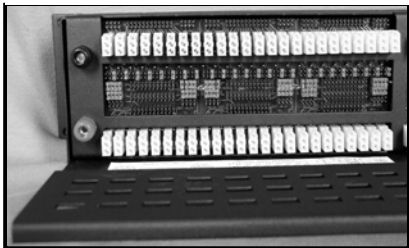
- **Pre-wired 96 point (2 x 48) bantam / TT patch bay.**
- **3/4" Label Strip for each row - easy jack identification.**
- **Programmable Full or Half-Normal Operation or a combination of both.**
- **All Normals brought out to multi-pin connectors for easy signal configurations - mults, daisy chains, vertical and wild normals.**
- **Single channel (1ch/3-pin) and multi-channel (2ch, 4ch & 8ch) connector interfaces.**
- **Ground Lift on each jack.**
- **Ground Bus link for each jack.**
- **Tie-down cable strain relief tray.**
- **19" X 2RU (3.5") rack mount.**



Introducing our next generation TT / Bantam patch bay, the **PP-96-2**.

This patch bay has been designed to meet most of your applications needs in a single package. Those applications where you need **half-normal** operation, high level / line patching, or **full-normal** operation, low level / mic patching, or a **combination of both**, all in the same bay, its your choice.

For additional flexibility, we have added a **ground-lift** jumper (ground / shield isolation) for each jack, plus the ability to link each to a **common ground bus** terminal located on the rear next to the **chassis ground** terminal. To expand connectivity, we have added



a 3-pin connector for each jack wired in parallel with our standard multi-pin Project Patch connector, this insures compatibility with existing Project Patch cables plus the ability to connect a single channel in a single connector.

A large tray, located on the rear of the unit, is a convenient place to neatly tie and dress your cables and provide strain relief for those cables, i.e. good cable management.



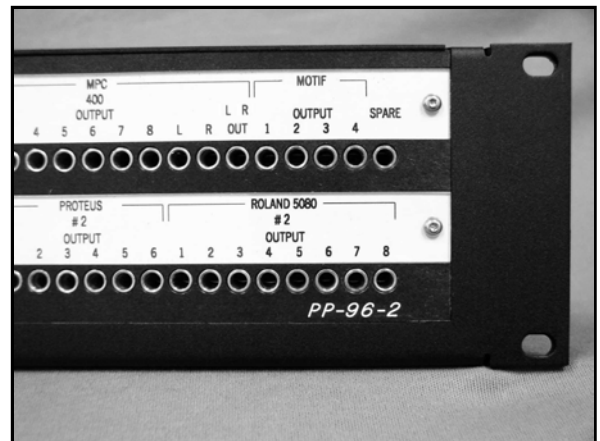
Setting up the bay for vertical or wild normals - routing common signals to multiple locations, daisy chaining, or creating mults - is as simple as plugging a pre-wired plug or cable into the normalizing connectors provided on the rear. This also means, quick changes

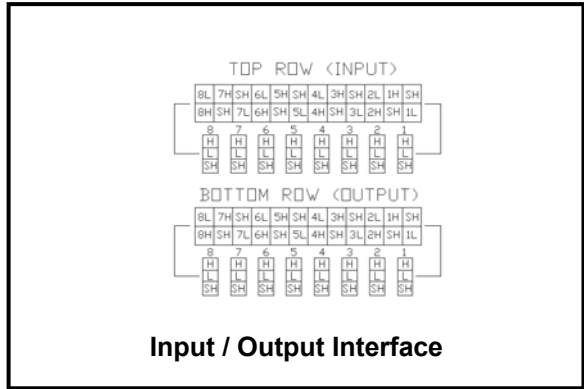
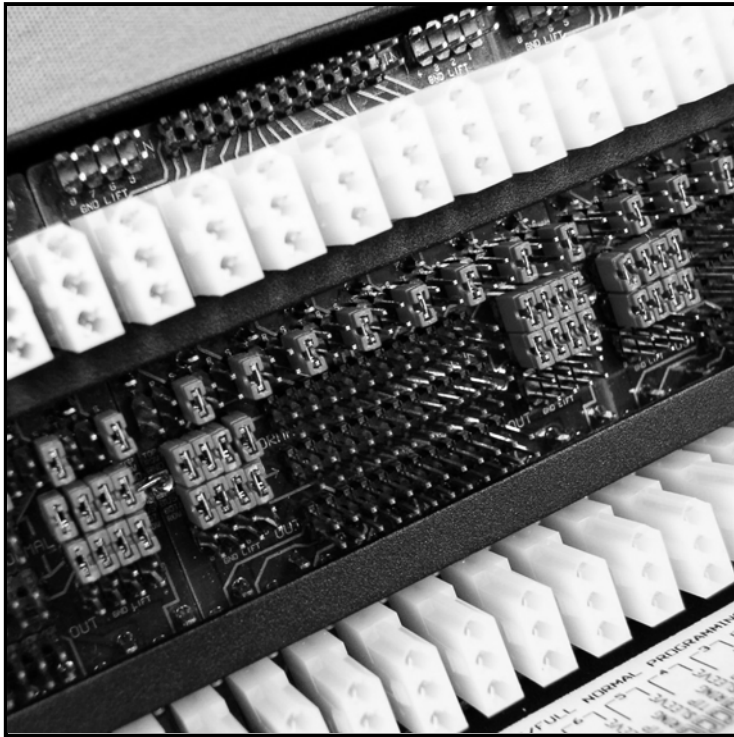
when you need them, simply by adding or moving existing jumpers and / or cables.

"....a patch bay for most applications...."

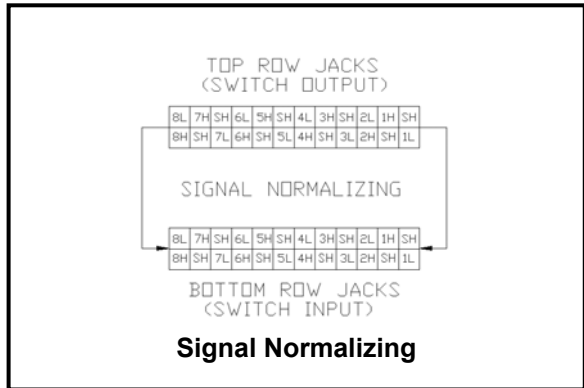


Labeling is handled by two 3/4" high designation strips, one for each row of jacks, allowing for better and easier jack identification and location.

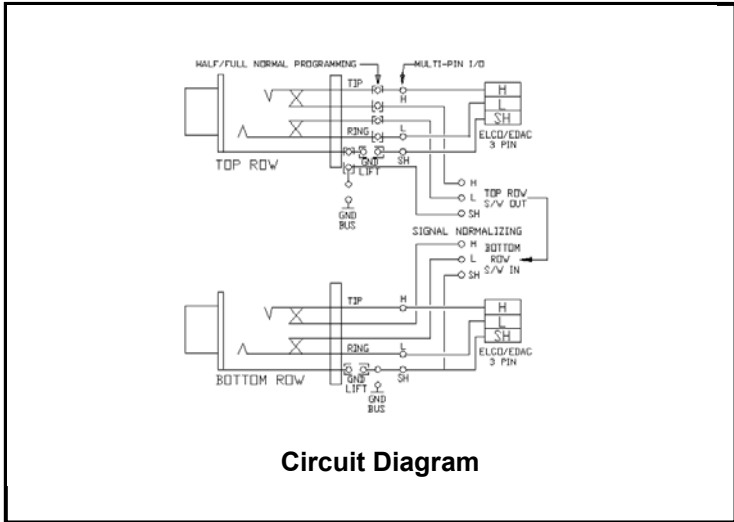




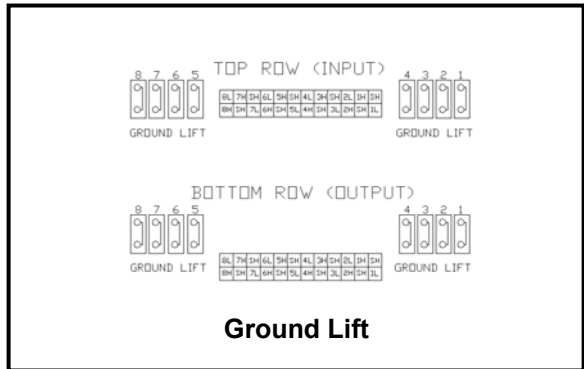
Input / Output Interface



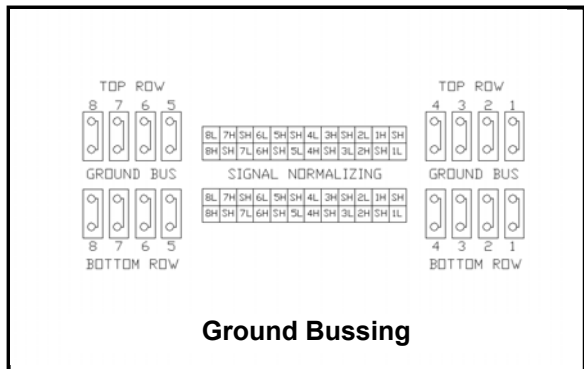
Signal Normalizing



Circuit Diagram



Ground Lift



Ground Bussing

Dimensions:

19" W x 3.5"H (2RU) x 8.5"D / 12lbs.

Options:

- Mating connectors: PP-CON-1CH (single channel), PP-CON-2CH (two channel), PP-CON-4CH (four channel) or PP-CON-8CH (eight channel).
- Pre-made 10ft, 25ft, or custom length cable harnesses terminated in a variety of connector types.
- Pre-made signal normalising jumper for wild or vertical applications, mults or daisy chains in various styles.
- TT / Bantam patch cords.



8 Hammond Drive, Suite 104
Irvine, CA 92618 USA
Email: sales@sigt.com
www.sigt.com